

- Smart Switching
- Fully Configurable
- Simple Integration
- Rugged Tactile Buttons
- 24-bit Backlit RGB LED's



SELECT SERIES - SMART SWITCHING. RUGGED BUILD. LIMITLESS CONTROL.

The Select Series CANKeypad puts you in control with compact, LED-backlit tactile buttons, suitable for any CAN-based application. Use it as a stand-alone switch panel, an annunciator, or alongside an Enovation Controls display.

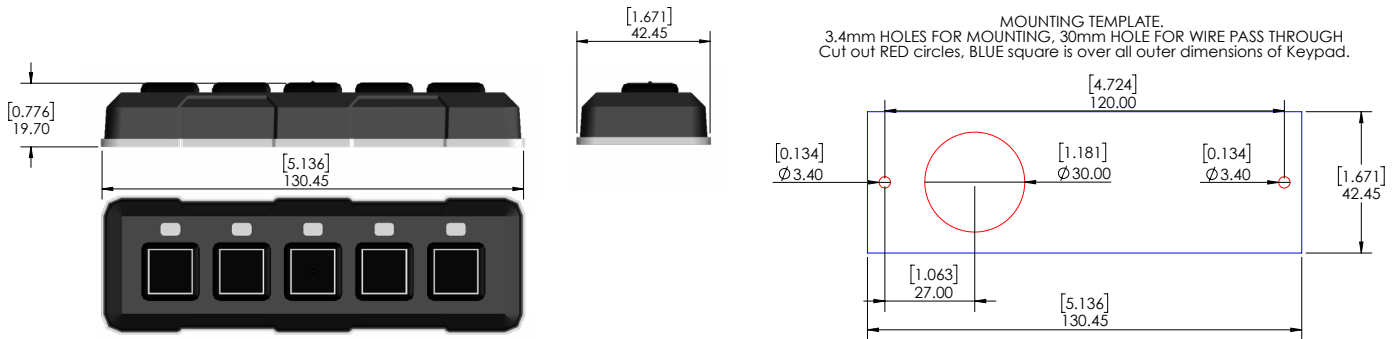
Configuration is easy with a simple CAN protocol. Each button supports programmable RGB backlighting and status LEDs with full control of color, brightness, and flash rate, including bar graph capabilities.

Built to last, and tested over 1 million cycles the keypad is IP67 rated with an integrated gasket and mounts to a panel using two M3 bolts. Four color-coded flying leads provide CAN and power connectivity, offering maximum install flexibility.



SK51

DIMENSIONS



SPECIFICATIONS

ELECTRICAL		CAN PROTOCOL	
OPERATING VOLTAGE	6 to 35 VDC	STANDARD	SAE J1939 compatible protocol
CURRENT CONSUMPTION	5 – 200mA (based on LED color/brightness)	TRANSMIT	Button status on press/release or 1s interval
MECHANICAL & ENVIRONMENTAL		RECEIVE - SIMPLE MODE	Set backlight & status LED colors, brightness, and flash
CASE MATERIAL	High impact PBT/PC (epoxied)	RECEIVE - FULL RGB	24-bit RGB per LED (16M+ colors)
BUTTON MATERIAL	Silicon with dual-layer paint and topcoat	CAN TERMINATION	Not Fitted
WEIGHT	Approx 100g / 0.2 lb	<p>⚠ WARNING: This product can expose you to chemicals including lead, which is known to the State of California to cause cancer. For more information, go to www.P65Warnings.ca.gov.</p>	
OPERATING TEMPERATURE	-40°F to 185°F (-40°C to 85°C)		
SEALING	IP67 front, exposed lead ends		
MOUNTING	Panel mount with two M3 bolts		

FOR MODEL & PART INFORMATION

ENOVATIONCONTROLS.COM/SK51

FOR MANUAL & SUPPORT DOCUMENTS

SUPPORT.ENOVATIONCONTROLS.COM

FOR SUPPORT & WARRANTY

ENOVATIONCONTROLS.COM/SUPPORT

SALES CONTACT

ENOVATION
CONTROLS
A HELIOS TECHNOLOGIES COMPANY

CONTACT
sales@novationcontrols.com
+1 918.317.4100
www.novationcontrols.com

CORPORATE HEADQUARTERS
5311 S 122nd E Ave
Tulsa, Oklahoma, USA 74146
United States • United Kingdom • India • China



FM 28221 (Tulsa, OK-USA)
FM 29422 (UK)