

# 76.TS

## Temperature Switch

A compact and economical temperature switch for signalling high temperature faults, the 76.TS is ideally suited for direct mounting to engines, pumps, compressors and gearboxes.

The SPDT switch contacts are factory set to operate at 105°C rising. Connection to the contacts is via 1/4" (6.25mm) blade terminals.



### Specifications

#### Temperature ratings

**Operating range:** 20 to 140°C (68 - 284°F)

**Switch setting:** 105°C (221°F) rising, non-adjustable

**Switch differential:** auto reset at approx 9°C below rising switch setting

**Tolerance:** +/- 3.0°C

**Max. over temperature:** 25°C above set point

#### Contacts

**Contact type:** SPDT contacts (volt-free/dry)

**Rating:** 5A max @ 24VDC (resistive), 2A max @ 24VDC (inductive)

**Connection terminals:** 6.35mm (1/4 in.) blades

#### Physical

**Body type/material:** 32 A/F hex, passivated steel, zinc plated

**Diaphragm material:** stainless steel

**Bulb material:** brass

**Case sealing:** IP65

**Max external bulb pressure:** 12 bar / 174 psi / 1200 kPa

**Process connection:** 1/2 in. NPTF

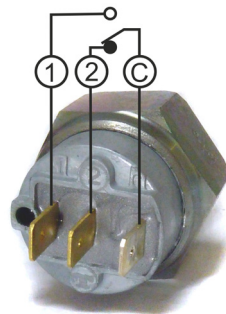
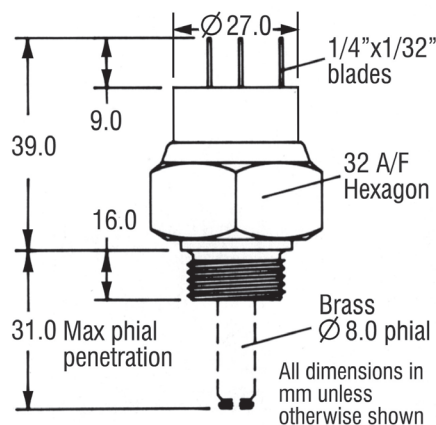
**Max. tightening torque:** 60 Nm

**Max. body temperature:** 120°C (248°F)

**Acceleration:** 8g max

**Weight:** approx 140g

### Dimensions & Connection



### How to Order

Stock code	Description
76.TS.D105	76.TS temperature switch, 1/2" NPTF, 105° rising

Special temperature settings and thread sizes are available for volume orders. Please contact our sales office for details.

**ENOVATION CONTROLS LTD. – UNITED KINGDOM**  
CHURCH ROAD, LAVERSTOCK  
SALISBURY, SP1 1QZ, UK

**INTERNATIONAL SALES & SUPPORT**  
**EUROPE, MIDDLE EAST, AFRICA**  
PHONE: +44 1722 410055  
EMAIL: SALES@ENOVATIONCONTROLS.EU

**INDIA**  
PHONE: +91 91581 37633  
EMAIL: INDIASALES@ENOVATIONCONTROLS.COM

