



# High Country Tek by Enovation Controls

## Proportional Valve Ramping Controller **MVP-R**

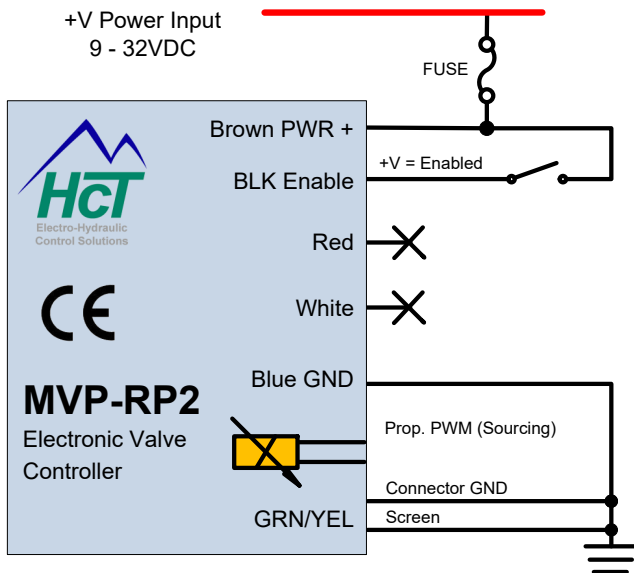
Electronic Controller Solutions for Mobile, Industrial & Marine Applications

### Product Feature Overview

- Permanently sealed, standard DIN 43650 Form A connector body with pre-wired 18AWG PVC cable
- All input and output limits are independently adjustable
- Multiple modes for open loop, closed loop and inverted
- Single coil, programmable enable input
- Output short circuit protection and open circuit alert
- Diagnostic LED's with system "status" blink code indication
- PC based Graphical User Interface (GUI) for system configuration
- Infrared HCT Hand Held Interface for system configuration



### Basic Connection Diagram



MVP-RP2 Wiring	
Terminal	Function
Brown	+PWR
Blue	PWR GND
Black	Enable Input
White	Not Used
Red	Not Used
GRN/YEL	Connector GND

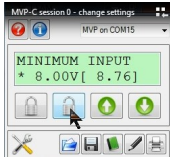
### Controller Specification Overview

<b>Housing Type</b>	HCT Custom DIN enclosure
<b>Power Supp. Voltage</b>	9 to 32VDC ( <i>Absolute Maximum</i> )
<b>Current Consumption</b>	Load current + 20mA Quiescent ( <i>Max</i> )
<b>Command Inputs</b>	0-10V or 4-20mA
<b>Outputs</b>	<b>06A:</b> 600mA max <b>12A:</b> 1.2A max <b>25A:</b> 2.5A max
<b>PWM Dither Freq. (Standard)</b>	Software selectable: 80, 100, 120, 140, 160, 180, 200, 220, 240, 260, 280, 300Hz, (select OFF for 1000Hz)
<b>Ramp Functions</b>	RP1: ramp up only RP2: ramp up and down
<b>Module Connector</b>	DIN 43650 Form A connector body
<b>Communication</b>	Infrared Communication
<b>Housing Material</b>	33% glass reinforced, heat stabilized, black polyamide 66
<b>Temperature Range</b>	-40 to +85°C ( <i>Operational</i> ) -60 to +90°C ( <i>Storage</i> )
<b>NEMA/IP Rating</b>	NEMA 4 / IP67



# Proportional Valve Ramping Controller MVP-R

## Accessories



### Graphical User Interface

Free PC set-up software. Download at <http://support.enovationcontrols.com>



### Comm. Cable

Infrared Hand Held Interface for Device  
Part #: CBL-IRA



### Comm. Cable

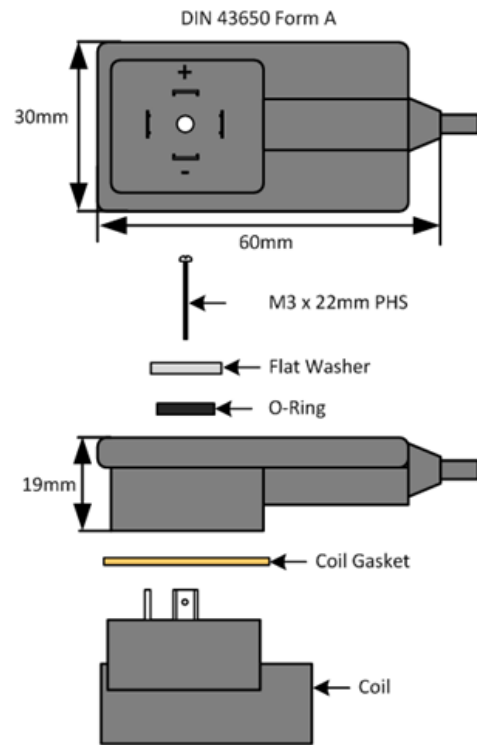
Infrared Hand Held Interface for PC  
Part #: CBL-IRMU

## Order Information

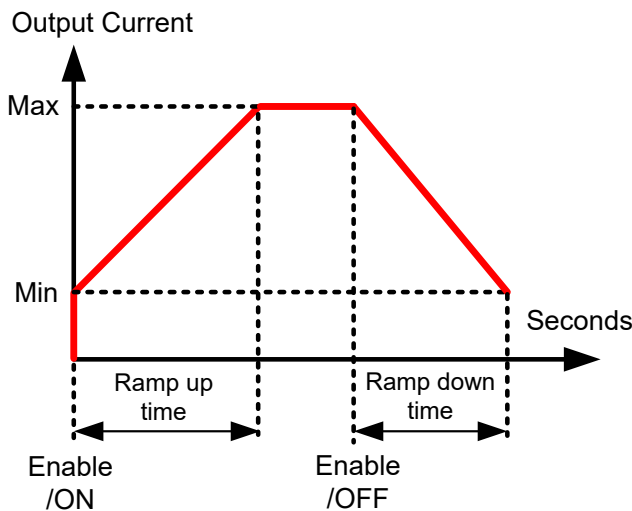
## Dimensions

### MVP-RP1-06A-10F

- 10F = 10ft cable  
20F & 30F standards
- 06A = 600mA output  
12A = 1200mA output
- RP1 = Ramp up only  
RP2 = Ramp up/down



## Application Examples



**High Country Tek**  
**by Enovation Controls**  
 5311 S 122nd East Ave.  
 Tulsa, OK 74146  
 Tel: +1 (918) 317-4100  
[sales@enovationcontrols.com](mailto:sales@enovationcontrols.com)

[www.enovationcontrols.com](http://www.enovationcontrols.com)