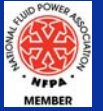




High Country Tek, Inc.

# Soft Shift Controller - PTD-SS10

Electronic Controller Solutions for Mobile, Industrial & Marine Applications.



## Application Information:

- Electrically adjustable Soft start / Soft Stop controller
- Rate of change not viscosity dependent
- Can be used with all types of electro-hydraulic valves
- Repeatable 'Bumpless' Compression / De-compression
- Perfect for load / Un-load circuits to reduce wear

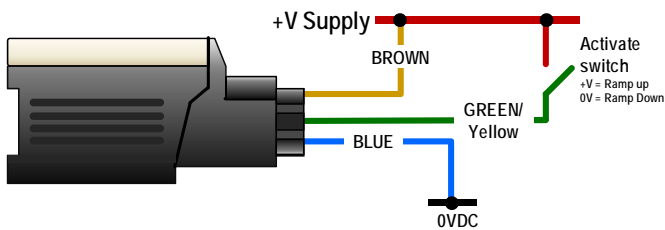
## Product Feature Overview:

- Industry standard DIN 43650 connector footprint
- One unit for 10 - 30VDC operation
- Range adjustable from ~50mS to ~10 second
- LED diagnostics show full controller operation at all times
- Complete with 1M/3 feet of color coded wire for fast, easy connection
- Mounting hardware and gaskets supplied with each controller
- Meets latest CE latest test standards
- Flame retardant resin used to fully encapsulate unit for high IP/NEMA rating



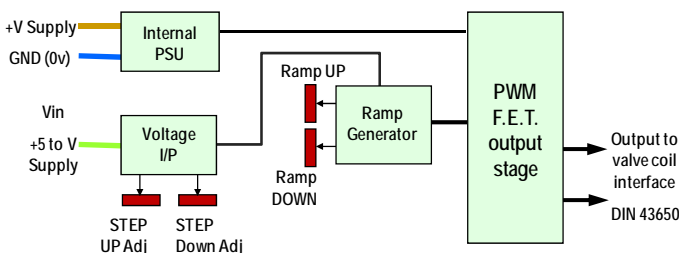
Order **PTD-SS10** for this unit

## Electrical Connections and Controller Specification Overview:



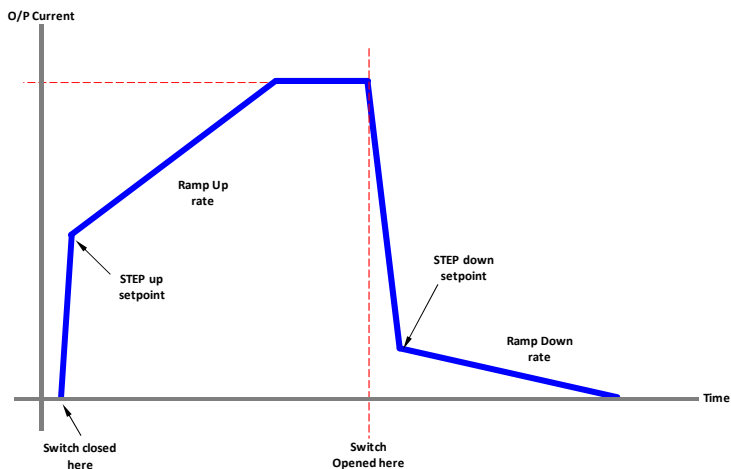
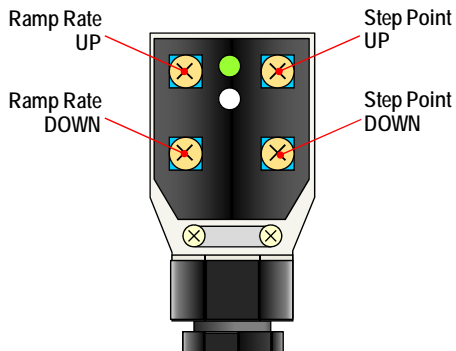
- BROWN** - +V Supply Input  
**BLUE** - GND (0V) Supply Input  
**GREEN/YLW** - Voltage Input

**NOTE:**  
 If an external voltage source is used, user **MUST** ensure external signal source 0V is connected to same GND at this controller for correct operation



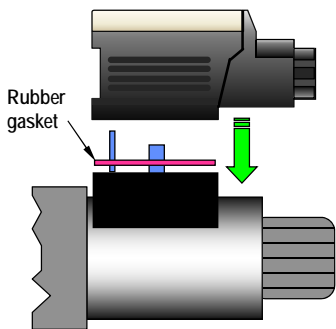
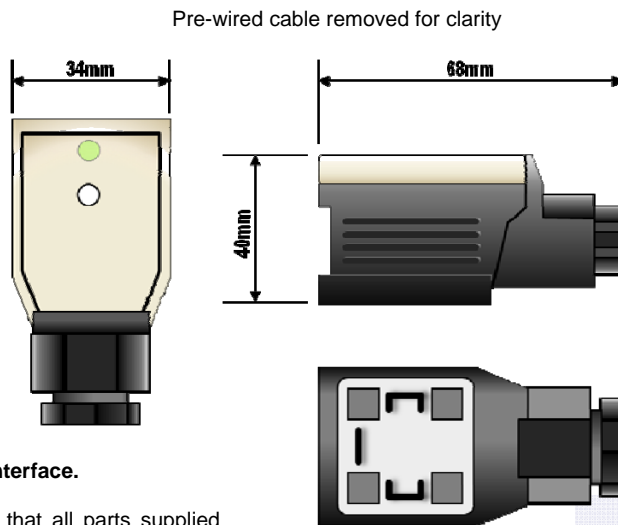
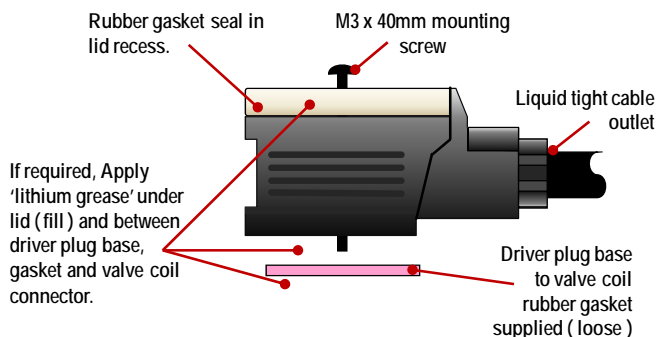
<b>Housing Type:-</b>	HCT unique 'encapsulated' block.
<b>Input Supply Voltage:</b>	+10 to +30VDC ( Abs. Maximum )
<b>Output Current:</b>	3.0 Amps Max ( limited )
<b>Output Power:</b>	36W ( Abs. Maximum )
<b>Coil Resistance:</b>	4.8 to 30 Ohms @ 20°C
<b>Command Input Type:</b>	Voltage only
<b>Input Resistance:</b>	~820 Ohms
<b>Command Input Value:</b>	+5 to +V Supply ( Abs. Maximum )
<b>Step UP/DOWN adjust:</b>	~0 to ~100%
<b>Ramp Times:</b>	50mS to ~10 Sec Separate UP and Down settings
<b>Housing Material:-</b>	High Impact resistance ABS.
<b>Wire Connections:-</b>	1M/3' pre-connected color coded cable
<b>Encapsulation:-</b>	Flameproof epoxy resin filled
<b>Mounting:-</b>	DIN 43650 connector footprint
<b>Temperature range:-</b>	-20 to +70 °C ( operational )
<b>NEMA/IP Rating:</b>	NEMA 6 / IP65 when assembled and

## Adjustment Guide and Operation Overview:



- All potentiometers are single turn variety - adjust with care
- ALL potentiometers are clockwise to increase respective value
- Unit is fully encapsulated in flame resistant black epoxy resin
- Controller M3 x 40 mounting screw and gasket supplied

## Installation Guide and Dimensional Data:



### Industry Standard DIN 36650 valve interface.

For maximum operational life, ensure that all parts supplied are re-assembled correctly after adjustment and the PTD-SS1 is securely and firmly mechanically mounted to the valve coil using the provided mounting hardware.

## Need More Information ?

For customer service, pricing, order placement and application support, contact us through E-mail at:  
[info@hctcontrols.com](mailto:info@hctcontrols.com)

[www.hctcontrols.com](http://www.hctcontrols.com)



**High Country Tek, Inc.**  
 208 Gold Flat Court  
 Nevada City, CA, 95959  
 Tel: (1) 530 265 3236  
 Fax: (1) 530 265 3275



A SUN Hydraulics Company

021-00346, Rev B - PTD-SS10-CS

This data sheet may contain mistakes and printing errors. The information in this publication is regularly checked and corrections made in the next issue. Please check our website for latest version. HCT accepts NO liability for technical mistakes or printing errors, or their consequences.

Copyright © High Country Tek, Inc. - 2012