

SLA-4 Range of Automatic Battery Chargers



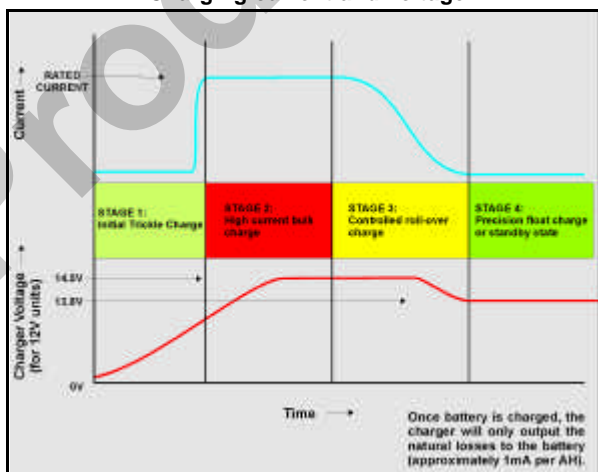
Description

The SLA4 is a highly efficient high performance charger. The very smooth output is configured for accurate fast charging, optimum battery life and reliability. Due to its very smooth output (< 1% ripple) the charger is suitable for sealed or vented batteries. e.g. Lead Acid sealed (VRLA), vented and plant cells.

4 Stage Operation

The output current of the charger is limited to a low value until the battery reaches a specific voltage, preventing high charge current if a cell is shorted. Above this level the bulk charge phase starts supplying maximum current to the battery. This is indicated by the yellow "bulk" LED. This continues until the bulk voltage is reached when the current will start to fall. When it has fallen to 10% of the maximum bulk current the float phase will begin, indicated by the green "end" LED. (see charging graph below)

Charging current and voltage



Electrical Connection

AC input is via a 3 core input lead and DC output connection is a fly lead terminated with colour coded crocodile clips.

- High rate charging:
1A @ 6V or 12V - 600mA @ 24V
- Fully automatic charge regulation
- Light compact desk top design
- 4 stage operation
- VRLA or vented lead acid
- Low ripple

Product Specification

Power Supply:

| | |
|-----------------------------|--|
| nominal operating voltages | 110-120VAC (115 units) 205-254VAC (230 units) |
| nominal operating frequency | 50-60Hz |

DC Charge Output:

| | | |
|------------------------|--------------------|---------|
| output current ADC | 600 | 1 |
| nominal voltage VDC | 24 | 6 or 12 |
| line regulation | < 1% | |
| load regulation | < 1% | |
| output ripple | < 1% | |
| float / boost voltages | see table overleaf | |

Output Connection and Indication:

| | |
|----------------|--------------------------------|
| LED indication | Float stage and Bulk stage |
| Output lead | 1.5M lead with crocodile clips |

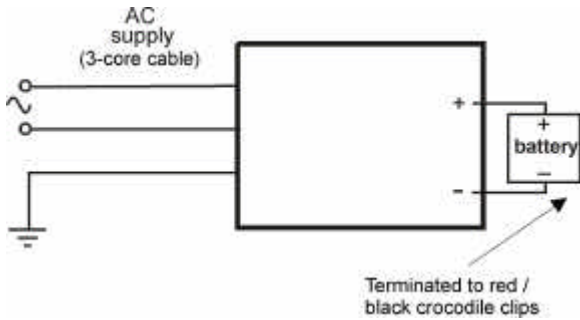
General:

| | |
|--------------------------------|--|
| operating temperature | -10 to +55°C |
| overall dimensions (w x h x d) | 85mm x 84mm x 67mm (3.3" x 3.3" x 2.6") |
| weight | 0.56Kg (1.24lbs) |
| EMC emission / immunity | EN 58801-2 / EN50082-2 |

Warranty

A one year limited warranty on materials and workmanship is given with this product. Details are available upon request.

Electrical connection



INPUT CONNECTION

2M flylead to bare wire connection.

OUTPUT CONNECTION

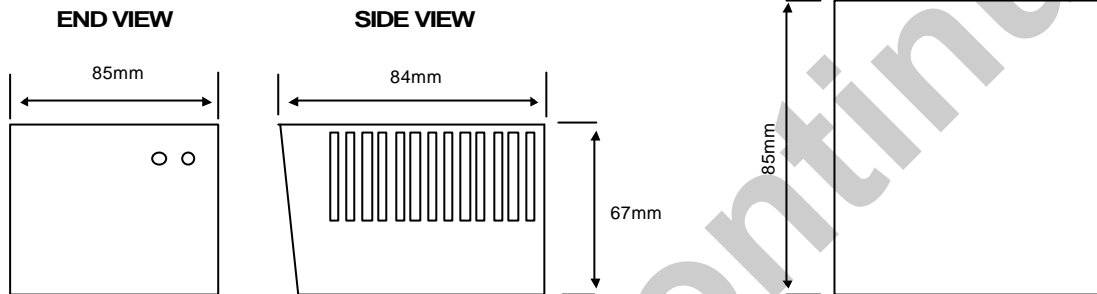
Colour coded crocodile clips on 1.5M flylead
 Black - Negative line
 Red - Positive line

Calibration

| Battery type | | float volts (VDC) | bulk volts (VDC) |
|--------------|----------------------|-------------------|------------------|
| 6V | Lead Acid (3 cells) | 6.8 | 7.25 |
| 12V | Lead Acid (6 cells) | 13.6 | 14.5 |
| 24V | Lead Acid (12 Cells) | 27.2 | 27.6 |

The above are factory standard settings, specials are available on request.

Dimensions



How to order

When ordering, please specify:-

| PRODUCT | Nominal Output VDC | | | Nominal Output Current | |
|---------|--------------------|----|----|------------------------|---|
| | 6 | 12 | 24 | 0.6 | 1 |
| SLA424 | | | • | • | |
| SLA412 | | • | | | • |
| SLA46 | • | | | | • |

| INPUT VOLTAGE | | |
|---------------|--------|--------|
| CODE | 115VAC | 230VAC |
| C | • | |
| D | | • |

| BATTERY TYPE | | |
|--------------|-----------|------|
| | Lead Acid | VRLA |
| LA | • | |
| VRLA | | • |

Product **Input volts** **Battery type**

The above 3 part number codes must be filled in to complete your order

SLA412 D VRLA

The above example shows the order code for a desk top charger with 230VAC input, 12V@1A,DC output 4 stage, calibrated for a VRLA battery.

Computronic Controls Ltd
 41 - 46 Railway Terrace
 Nechells. Birmingham, B7 5NG
 United Kingdom
 Tel +44 121 327 8500
 Fax +44 121 327 8501
 email: sales@computroniccontrols.com
 web: www.computroniccontrols.com