

# PowerView<sup>®</sup>

## Models PV350 & PV380 MSTD R1



CE \*

### Installation Manual

\*Products covered in this document comply with European Council electromagnetic compatibility directive 2004/108/EC and electrical safety directive 2006/95/EC.

In order to consistently bring you the highest quality, full featured products, we reserve the right to change our specifications and designs at any time. The latest version of this manual can be found at [www.fwmurphy.com](http://www.fwmurphy.com).

**Warranty** - A limited warranty on materials and workmanship is given with this Murphy product. A copy of the warranty may be viewed or printed by going to [www.fwmurphy.com/support/warranty.htm](http://www.fwmurphy.com/support/warranty.htm)

## Table of Contents

<b>Hardware Installation</b> .....	<b>5</b>
Inspecting Package Contents .....	5
Dash-Mounted Installation .....	6
Dimensions.....	7
Dimensions, cont. ....	8
<b>Wiring Information</b> .....	<b>9</b>
Pin Specifications for PV350 .....	9
Pin Specifications for PV380 .....	10
Wiring Diagram for PV350 .....	12
Wiring Diagram for PV380 .....	13
<b>PV350 / PV380 Features and Operations</b> .....	<b>14</b>
<b>Specifications</b> .....	<b>16</b>

**- This page intentionally left blank -**

## Hardware Installation

The following instructions will guide you through installing the PowerView display.

### Inspecting Package Contents

---

Before attempting to install the product, it is recommended that you ensure all parts are accounted for and inspect each item for damage (which sometimes occurs during shipping). The items included in the box are:

- PV350 or the PV380 unit
- Dash gasket
- Installation manual – P/N 00-02-0989

## **Dash-Mounted Installation**

---

### **Tools needed.**

- Jig Saw, or
- 3.5" Hole saw, or
- 3.5" knockout (chassis) punch

### **Preparing the Dash**

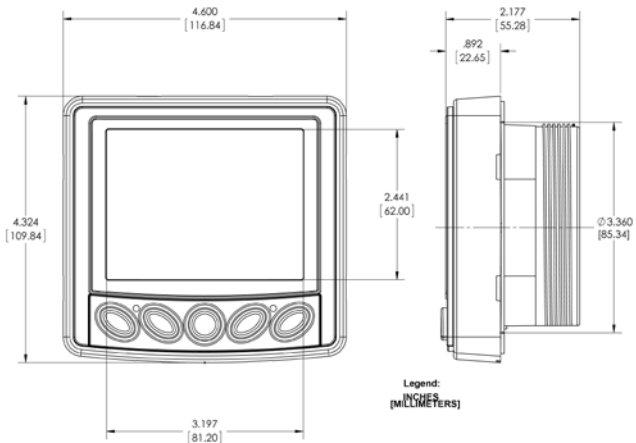
Determine the location of the PowerView in the dash. Refer to the Mounting Hole Options sheet at the end of this document for the appropriate opening sizes.

### **Mounting the Unit**

1. Place the dash gasket over the prepared dash opening.
2. Place the back side of the display through the opening in the dash.
3. Push the unit through the opening until the case is flush.
4. Place the screw on type mounting clamp behind the dash and install on the unit until it is hand tight.

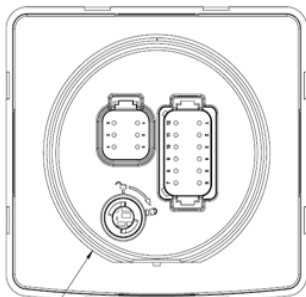
## Dimensions

---



## Dimensions, cont.

---



03.460  
[87.89]

Legend:  
Inches  
[Millimeters]

Note: Pinout depicted is the PV380



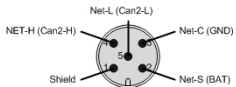
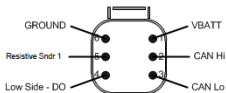
# Wiring Information

## Pin Specifications for PV350

---



PV350 Back View



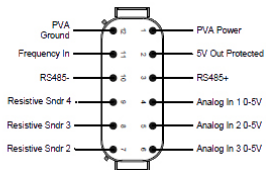
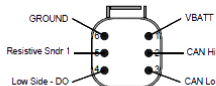
# Pin Specifications for PV380

---

## PV380 Connector Pin Outs



PV380 Back View



### **PV350 Mating Connector Part Numbers:**

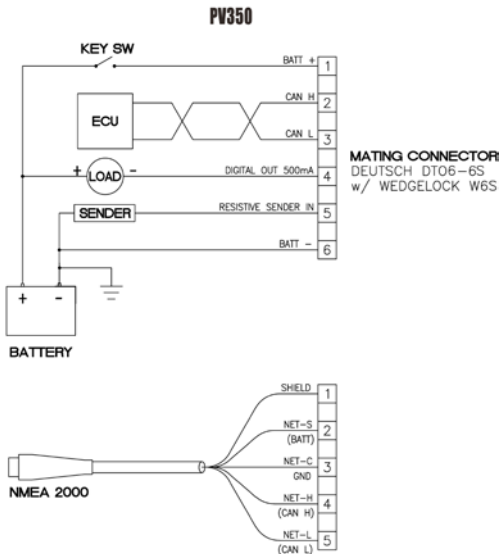
- Deutsch DT06-12SA plug housing
- Deutsch DT06-6S plug housing
- W6S and W12S wedge locks
- Deutsch 0462-201-16141 contact (socket)
- M12 (Micro-C) 5-pin male plug compatible with NMEA 2000 thin backbones (light cable)

### **PV380 Mating Connector Part Numbers:**

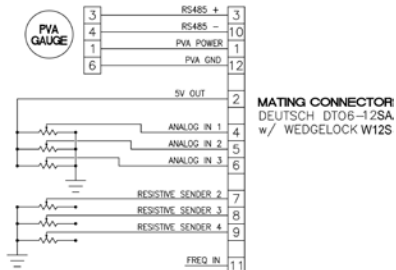
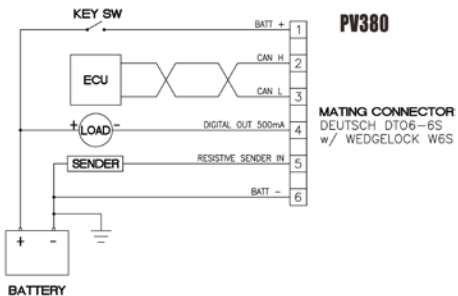
- Deutsch DT06-12SA plug housing
- Deutsch DT06-6S plug housing
- W6S and W12S wedge locks
- Deutsch 0462-201-16141 contact (socket)

# Wiring Diagram for PV350

---



# Wiring Diagram for PV380



# PV350 and PV380 Features and Operations

---



## **Flat Screen Display**

A 3.8" QVGA monochrome LCD screen displays gauges, soft key commands, and fault messages, as well as menu options for setup and configuration.

## **Soft Keys and Commands**

The five tactile push buttons on the bottom of the display correspond to the options available for the screen being displayed.

## **Alarms**

Red and amber warning LEDs; Setpoint triggered output for external piezo buzzer or shut-down relay.

## **Operations Manual**

The PV350/PV380 Murphy Standard Configuration Operation manuals can be found at [www.fwmurphy.com/products/displays/PV350](http://www.fwmurphy.com/products/displays/PV350) and [www.fwmurphy.com/PV380](http://www.fwmurphy.com/PV380).

## Specifications

### Electrical

Display	3.8" monochrome LCD
Resolution	QVGA, 320 x 240 pixels
Orientation	Landscape
Backlighting	LED, white
Flash Memory	512kb
RAM	96kb
Operating Voltage	6 - 36 VDC, protected against reverse polarity and load-dump
Power Consumption	10 W max
CAN	CAN 2.0B
Protocols	J1939, FreeForm CAN
Connection	PV350: 6 pin Deutsch connector and 5 pin M12 connector PV380: 6 pin and 12 pin Deutsch DT series connectors
Keyboard	5 tactile buttons

Continued on next page



Inputs	PV350: (1) resistive analog (backlight control) PV380: (4) resistive analog, (3) analog, 0-5V analog or digital, (1) frequency, 2-10,000 Hz, 3.6-120 VAC
Output	PV350: (1) 500 mA; switched low-side PV380: (1) 500 mA; switched low-side, (1) 5V supply, 70 mA, protected

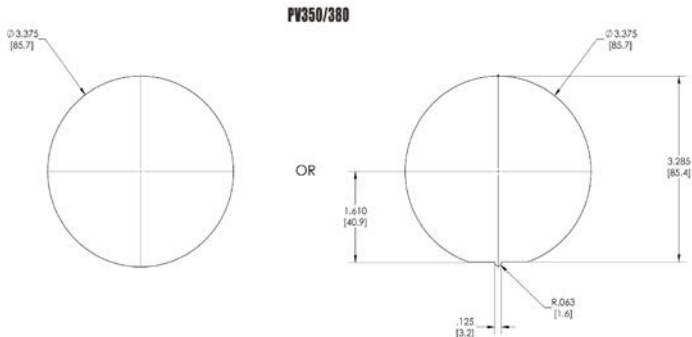
## Environmental

Operating Temperature	-40° C to +85° C
Storage Temperature	-40° C to +85° C
Protection	IP67, front and back, IP66 panel seal
Emissions	SAE J1113 or customer-specified
Immunity	SAE J1113 or customer-specified
Vibration	Random vibration, 7.86 Grms (5.2000 Hz), 3 axis
Shock	+/- 50G in 3 axis

## Mechanical

Case Material	PC/ABS
---------------	--------

# Mounting Hole Options



MOUNTING HOLE OPTIONS

- This page intentionally left blank -

In order to bring you the highest quality, full-featured products, we reserve the right to change our specifications and designs at any time.

MURPHY products and the Murphy logo are registered and/or common law trademarks of Enovation Controls, LLC. This document, including textual matter and illustrations, is copyright protected by Enovation Controls, LLC, with all rights reserved. © 2016 Enovation Controls, LLC. A copy of the warranty may be viewed or printed by going to [www.fwmurphy.com/warranty](http://www.fwmurphy.com/warranty).

**ENOVIATION CONTROLS CORPORATE HEADQUARTERS**

5311 S 122ND EAST AVENUE  
TULSA, OK 74146

**ENOVIATION CONTROLS – SAN ANTONIO OFFICE**

5757 FARINON DRIVE  
SAN ANTONIO, TX 78249

**ENOVIATION CONTROLS – HOUSTON OFFICE**

105 RANDON DYER RD  
ROSENBERG, TX 77471

**ENOVIATION CONTROLS LTD. – UNITED KINGDOM**

CHURCH ROAD, LIVERSTOCK  
SALISBURY SP1 1QZ UK

**MURPHY ECONTROLS TECHNOLOGIES (HANGZHOU) CO, LTD.**

77 23RD STREET  
HANGZHOU ECONOMIC & TECHNOLOGICAL DEVELOPMENT AREA  
HANGZHOU, ZHEJIANG 310018 CHINA

**DOMESTIC SALES & SUPPORT**

**ECONTROLS PRODUCTS**

PHONE: 210 495 9772  
FAX: 210 495 9791  
EMAIL: [INT@ENOVIATIONCONTROLS.COM](mailto:INT@ENOVIATIONCONTROLS.COM)  
[WWW.ECONTROLS.COM](http://WWW.ECONTROLS.COM)

**MURPHY PRODUCTS**

PHONE: 918 317 4100  
FAX: 918 317 4286  
EMAIL: [SALES@ENOVIATIONCONTROLS.COM](mailto:SALES@ENOVIATIONCONTROLS.COM)  
[WWW.FWMURPHY.COM](http://WWW.FWMURPHY.COM)

**MURPHY CONTROL SYSTEMS & SERVICES**

PHONE: 281 633 4500  
FAX: 281 633 4588  
EMAIL: [CSO-SOLUTIONS@ENOVIATIONCONTROLS.COM](mailto:CSO-SOLUTIONS@ENOVIATIONCONTROLS.COM)

**MURPHY INDUSTRIAL PANEL DIVISION**

PHONE: 918 317 4100  
FAX: 918 317 4124  
EMAIL: [IP@SALES@ENOVIATIONCONTROLS.COM](mailto:IP@SALES@ENOVIATIONCONTROLS.COM)

**INTERNATIONAL SALES & SUPPORT**

**UNITED KINGDOM**

PHONE: +44 1722 410055  
FAX: +44 1722 410088  
EMAIL: [SALES@ENOVIATIONCONTROLS.EU](mailto:SALES@ENOVIATIONCONTROLS.EU)  
[WWW.FWMURPHY.EU](http://WWW.FWMURPHY.EU)

**CHINA**

PHONE: +86 21 6237 5885  
FAX: +86 21 6237 5887  
EMAIL: [APSALES@ENOVIATIONCONTROLS.COM](mailto:APSALES@ENOVIATIONCONTROLS.COM)

**LATIN AMERICA & CARIBBEAN**

PHONE: 918 317 2500  
EMAIL: [LASALES@ENOVIATIONCONTROLS.COM](mailto:LASALES@ENOVIATIONCONTROLS.COM)

**SOUTH KOREA**

PHONE: +82 70 7951 4100  
EMAIL: [SKORIASALES@ENOVIATIONCONTROLS.COM](mailto:SKORIASALES@ENOVIATIONCONTROLS.COM)

**INDIA**

PHONE: +91 91581 37633  
EMAIL: [INDIASALES@ENOVIATIONCONTROLS.COM](mailto:INDIASALES@ENOVIATIONCONTROLS.COM)



FM 28225 (Tulsa, OK - USA)  
FM 620647 (San Antonio, TX - USA)  
FM 28221 (Rosenberg, TX - USA)  
FM 29422 (UK)



FM 523853 (China) TS 589322 (China)