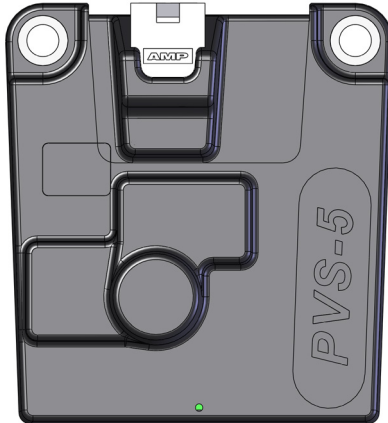


# PVS-5 Power Supply – Installation Instructions

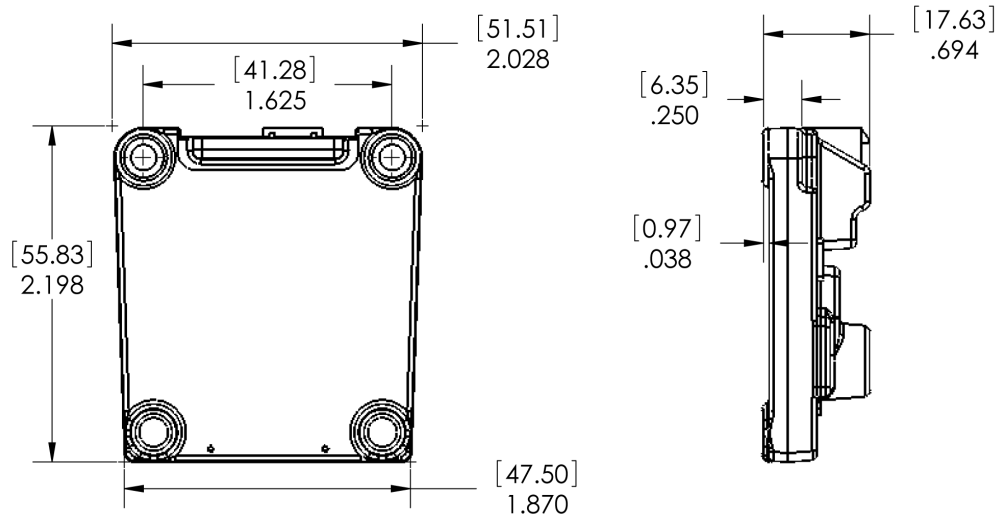


- Provides 5 Volt power supply to PVM gages
- Capable of supplying power to a maximum of 6 PVM gages
- Enables PVM gage compatibility with existing MurphyLink products
- Easy mounting and installation

External power is required to make the PVM gage line compatible with existing MurphyLink products, i.e. PV1000, Cascade, iGUARD and eGUARD. The PVS-5 power supply device supplies 5 Volts of external power and load dump protection for up to 6 PVM gages. The maximum length of the power and data connection between gages is 0.5meters (8.5 meters total).

The unit may be installed inside a panel or behind a dash.

## Product Dimensions



## Specifications

### Input Voltage:

- 6 VDC minimum to 32 VDC maximum
- 12/24 VDC Nominal

**Output Voltage:** 5 VDC @ 450mA maximum

**Reverse Polarity Protection:** -36VDC

**Overvoltage Protection:** +36VDC and above

**Overcurrent Protection:** 600mA @ 36VDA maximum

**Connector:** AMP 1-770968-1

**Operating Temperature:** -40°F to 185°F (-40°C to +85°C)

**Storage Temperature:** -40°F to 221°F (40°C to +105°C)

**Random Vibration:** 5-2,000 Hz

**Operating Shock:** 50G

**Certification:** CE

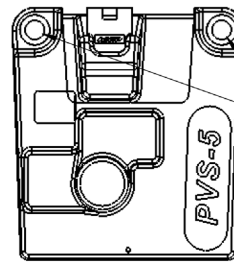
**Case Material:** Polyamide

**Dimensions:** 2"x2"x.75"

**Mounting Hole Dimensions:** Two #8 screws, 1.625" offset

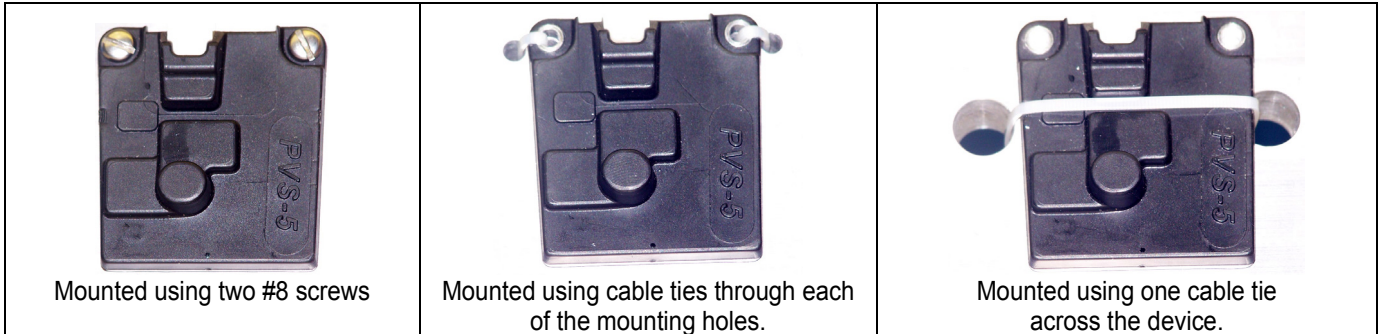
## Mounting

The PVS-5 can be mounted under or behind the dash using cable ties or screws. Refer to the following installation examples when mounting the power supply device.



2X MOUNTING HOLES FOR #8 SCREWS

**CAUTION: The mating connector does not have a water tight seal. If the device is mounted in a location exposed to the risk of moisture, then the device should be mounted in an orientation that will protect the connector from water seepage (connector facing down) or sealed against moisture.**



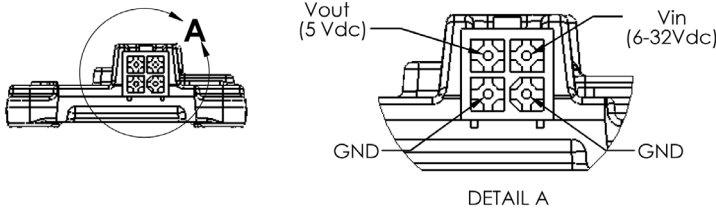
Mounted using two #8 screws

Mounted using cable ties through each of the mounting holes.

Mounted using one cable tie across the device.

## Wiring Diagram

The pin out information for the 4 pin connector is shown below.



**Mating Connector** – Tyco Electronics AMP Mini Universal Mate-N-Lok Plug Housing 4 Position, AMP P/N 172338-1  
Murphy P/N 00-00-6935

## Accessories

Model	Wiring harness Rendering	Wiring Harness Designation Schematic	Part Number
PVWM-J PVM Gage Harness		<p><b>PVWM - J - 9</b></p> <p>PowerView Jumper Harness</p> <p>Length: - 9 : 9 in. (229 mm) - 12 : 12 in. (305 mm) - 24 : 24 in. (607 mm)</p>	78-00-0479 78-00-0490 78-00-0503

**ENOVATION CONTROLS CORPORATE HEADQUARTERS**  
5311 S 122ND EAST AVENUE  
TULSA, OK 74146

**ENOVATION CONTROLS – SAN ANTONIO OFFICE**  
5757 FARINON DRIVE  
SAN ANTONIO, TX 78249

**ENOVATION CONTROLS – HOUSTON OFFICE**  
105 RANDON DYER RD  
ROSENBERG, TX 77471

**ENOVATION CONTROLS LTD. – UNITED KINGDOM**  
CHURCH ROAD LAVERSTOCK  
SALISBURY SP1 1QZ UK

**MURPHY ECONTROLS TECHNOLOGIES (HANGZHOU) CO, LTD.**  
77 23RD STREET  
HANGZHOU ECONOMIC & TECHNOLOGICAL DEVELOPMENT AREA  
HANGZHOU, ZHEJIANG 310018 CHINA

### U.S. SALES & SUPPORT

**ECONTROLS PRODUCTS**  
PHONE: 210 495 9772  
FAX: 210 495 9791  
EMAIL: INFO@ENOVATIONCONTROLS.COM  
WWW.ECONTROLS.COM

**MURPHY PRODUCTS**  
PHONE: 918 317 4100  
FAX: 918 317 4266  
EMAIL: SALES@ENOVATIONCONTROLS.COM  
WWW.FWMURPHY.COM

**MURPHY CONTROL SYSTEMS & SERVICES**  
PHONE: 281 633 4500  
FAX: 281 633 4588  
EMAIL: CSS-SOLUTIONS@ENOVATIONCONTROLS.COM

**MURPHY INDUSTRIAL PANEL DIVISION**  
PHONE: 918 317 4100  
FAX: 918 317 4124  
EMAIL: IPDSALES@ENOVATIONCONTROLS.COM

### INTERNATIONAL SALES & SUPPORT

**UNITED KINGDOM**  
PHONE: +44 1722 410055  
FAX: +44 1722 410088  
EMAIL: SALES@ENOVATIONCONTROLS.EU  
WWW.FWMURPHY.EU

**CHINA**  
PHONE: +86 21 6237 5885  
FAX: +86 21 6237 5887  
EMAIL: APSALES@ENOVATIONCONTROLS.COM

**LATIN AMERICA & CARIBBEAN**  
PHONE: 918 317 2500  
EMAIL: LASALES@ENOVATIONCONTROLS.COM

**SOUTH KOREA**  
PHONE: +82 70 7951 4100  
EMAIL: SKOREASALES@ENOVATIONCONTROLS.COM

**INDIA**  
PHONE: +91 91581 37633  
EMAIL: INDIASALES@ENOVATIONCONTROLS.COM



FM 28221 (Tulsa, OK - USA)  
FM 620667 (San Antonio, TX - USA)  
FM 28221 (Rosenberg, TX - USA)  
FM 29422 (UK)



FM 523851 (China) TS 589322 (China)