

Selectronic® Flasher Alarm and Mini-Siren TL7 and SAH Series

The Model TL7 is a panel-mounted flashing alarm light and audible alarm driver. The TL7 helps protect the Murphy Switchgag contacts from the very high inrush current of the lamp. It is available in 12- or 24-VDC for negative ground systems. The SAH Mini-siren provides an audible alarm when fault conditions are detected by a Switchgag instrument. It can be panel mounted and operates on 6–28 VDC.

Application

The TL7 Flasher/Light is used as a warning device on various types of industrial and mobile equipment. The Mini-siren will give an audible warning when the TL7 operates, or it can be wired directly to the Switchgag contacts for audible only alarm.

Features

- Red polycarbonate lens
- 12 VDC or 24 VDC negative ground
- Tin-plated male push-on type terminals
- SAH terminal designed to drive piezo electric audible alarm rated 20 mA @ 28 VDC such as Murphy SAH Series Mini-siren

Specifications

TL7

Power Requirements:

Voltage: 12 or 24 VDC, negative ground (specify voltage)

Current:

- Sensor switch < 60 mA
- 12 VDC, 360 mA with lamp on
- 24 VDC, 200 mA with lamp on
- 12 or 24VDC, 5 mA standby, lamp off

Outputs (see replacement lamps):

Lamp output: 120 mA @ 14.4 VDC

SAH terminal: 20 mA @ 28 VDC resistive

Enclosure: Red polycarbonate lens with aluminum retaining nut

Temperature Range: -40° to 165°F (-40° to 74°C)

Terminal Connections: Four tin plated 1/32 x 1/4 in. (0.8 x 6 mm) male push-on type terminal

Mounting Hole: 1-1/8 in. (29 mm) diameter

Maximum Panel Thickness: 1/4 in. (6 mm)

SAH

Type: PIEZO electric transducer

Operating Voltage: 6–8 VDC

Output Level: at 28 VDC 1 meter, 90± 5 dB

Current Drain: at 28 VDC, 20 mA MAX

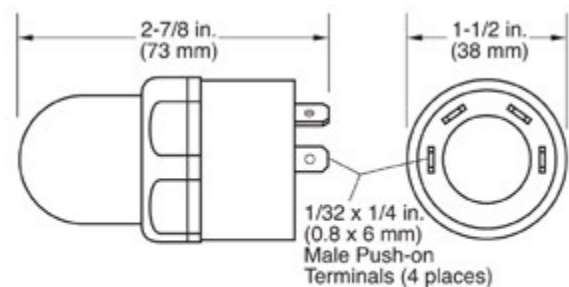
Mounting Hole: 1-1/8 in. (29 mm) diameter

Maximum Panel Thickness: 1/8 in. (3 mm)



Dimensions

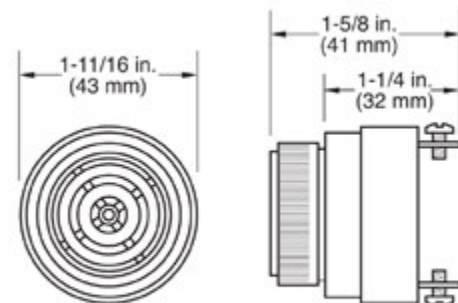
TL7



Mounting Hole: 1-1/8 in. (29 mm) diameter

Maximum Panel Thickness: 1/4 in. (6 mm)

SAH



Mounting Hole: 1-1/8 in. (29 mm) diameter

Maximum Panel Thickness: 1/8 in. (3 mm)

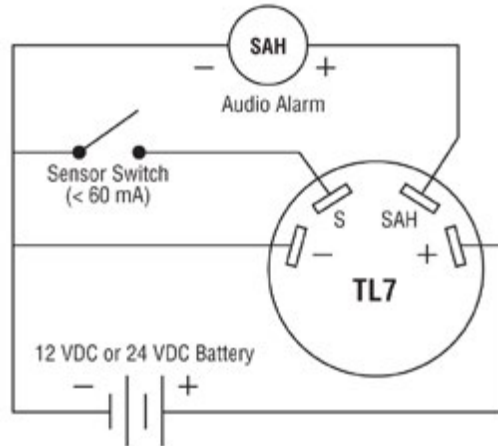
Typical Wiring Diagram



WARNING Before beginning installation of this Murphy product:

- Disconnect ALL electrical power to the machine.
- Make sure the machine CANNOT operate during installation.
- Follow all safety warnings of the machine manufacturer.
- Read and follow all installation instructions.

Below is a typical circuit diagram for the TL7 Flasher/Light and SAH Mini-siren. When the switch closes, the lamp will flash and the optional Mini-siren will pulse at the same frequency.



NOTE: Typical wiring with negative ground. Although designed to be used with Murphy Switchgag, the TL7 can be used with any dry contact type switch.

Always provide proper circuit protection with fuses or circuit breakers.

How to Order

Part Number	Model and Description	Notes
65700045	TL7-12N: 12 VDC, negative ground	Alarm light and audible alarm
65700047	TL7-24N: 24 VDC, negative ground	
65700257	SAH: Mini siren steady tone	Audible alarm
65700258	SAH-A: Mini siren pulse tone	

ENOVATION CONTROLS CORPORATE HEADQUARTERS
5311 S 122ND EAST AVENUE
TULSA, OK 74146

ENOVATION CONTROLS – SAN ANTONIO OFFICE
5757 FARINON DRIVE
SAN ANTONIO, TX 78249

ENOVATION CONTROLS – HOUSTON OFFICE
105 RANDON DYER RD
ROSENBERG, TX 77471

ENOVATION CONTROLS LTD. – UNITED KINGDOM
CHURCH ROAD LAVERSTOCK
SALISBURY SP1 1QZ UK

MURPHY EDCNTRLS TECHNOLOGIES (HANGZHOU) CO, LTD.
77 23RD STREET
HANGZHOU ECONOMIC & TECHNOLOGICAL DEVELOPMENT AREA
HANGZHOU, ZHEJIANG 310018 CHINA

U.S. SALES & SUPPORT

ECONTRLS PRODUCTS
PHONE: 210 495 9772
FAX: 210 495 9791
EMAIL: INFO@RENOVATIONCONTROLS.COM
WWW.ECONTRLS.COM

MURPHY PRODUCTS
PHONE: 918 317 4100
FAX: 918 317 4266
EMAIL: SALES@RENOVATIONCONTROLS.COM
WWW.FWMURPHY.COM

MURPHY CONTROL SYSTEMS & SERVICES
PHONE: 281 633 4500
FAX: 281 633 4588
EMAIL: CSS-SOLUTIONS@RENOVATIONCONTROLS.COM

MURPHY INDUSTRIAL PANEL DIVISION
PHONE: 918 317 4100
FAX: 918 317 4124
EMAIL: IP0SALES@RENOVATIONCONTROLS.COM

INTERNATIONAL SALES & SUPPORT

UNITED KINGDOM
PHONE: +44 1722 410055
FAX: +44 1722 410088
EMAIL: SALES@RENOVATIONCONTROLS.EU
WWW.FWMURPHY.EU

CHINA
PHONE: +86 21 6237 5885
FAX: +86 21 6237 5887
EMAIL: APSALES@RENOVATIONCONTROLS.COM

LATIN AMERICA & CARIBBEAN
PHONE: 918 317 2500
EMAIL: LASALES@RENOVATIONCONTROLS.COM

SOUTH KOREA
PHONE: +82 70 7951 4100
EMAIL: SKOREASALES@RENOVATIONCONTROLS.COM

INDIA
PHONE: +91 91581 37633
EMAIL: INDIASALES@RENOVATIONCONTROLS.COM



FN 28221 (Tulsa, OK - USA)
FN 626637 (San Antonio, TX - USA)
FN 28221 (Rosenberg, TX - USA)
FN 29432 (UK)



FN 523851 (China) TS 189322 (China)