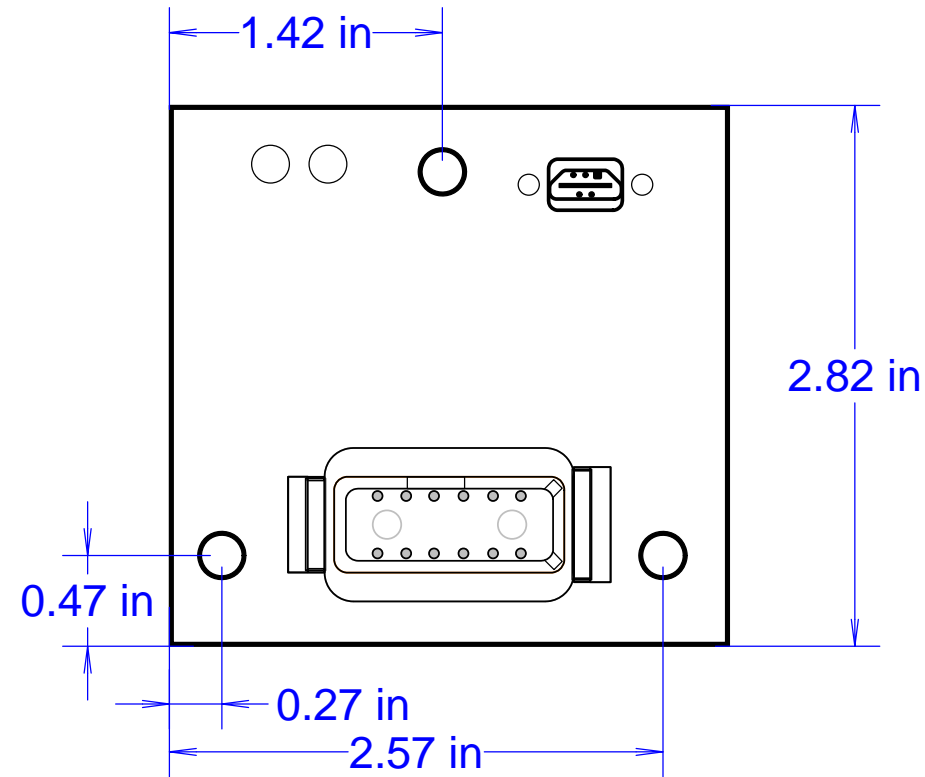
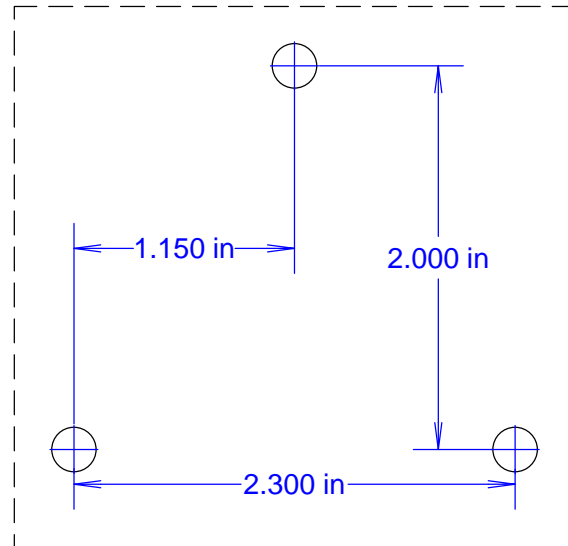


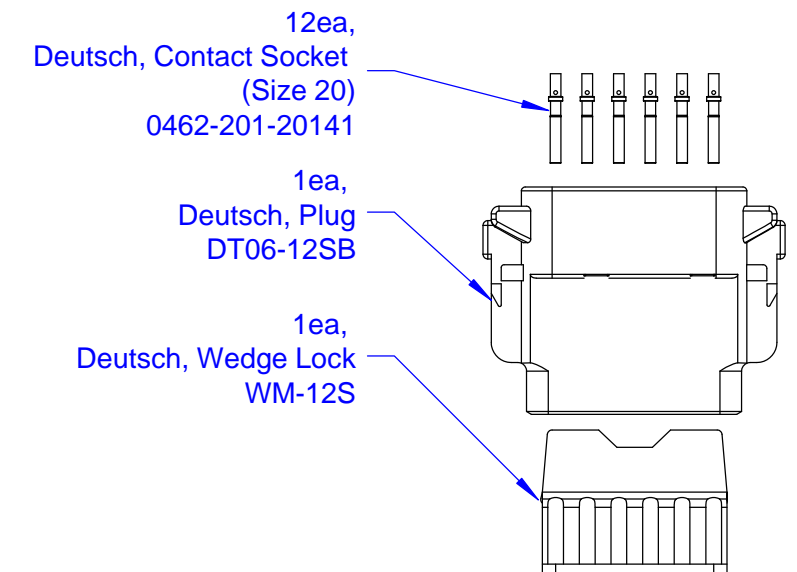
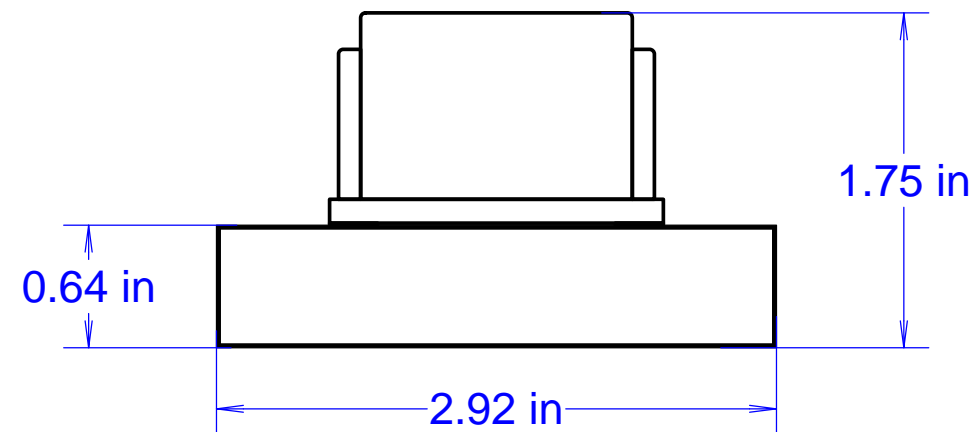
CHANGED BY	REV	DESCRIPTION	DATE
J. Clark	1	Original DWG	10/09/15

Mounting Pattern



EMC Pinout			
1	THERM 1 / DG 5	7	IGNITION IN / DG 2
2	THERM 2 / DG 6	8	GND
3	CAN H	9	REV IN / DG 3
4	CAN L	10	REV / ALARM OUT
5	+PWR	11	FIRE IN / DG 4
6	DG 1	12	FAN OUT

Mating Connector Information



- Notes:
- Use #8 - 32 Stainless Steel hardware, Tighten to 19.8 in lb Dry
14.4 in lb Lubricated
 - Weight: 140g (APROX)

Unless Otherwise Specified:

Tol. .XXX = ±.005
Tol. .XX = ±.010
Tol. .X = ±.010
∠ Angle ± 5°



This Drawing contains proprietary information and therefore may not be reproduced or disclosed without the prior written consent of High Country Tek, Inc.

High Country Tek, Inc.
Electronic Control Solutions for the Global Fluid Power Industry
208 Gold Flat Ct. Nevada City, CA. 95959
530-265-3236

TITLE			
EMC, Fan Controller			
SIZE	CAGE CODE	DWG NO	REV
B		909-00101	1
SCALE	DATE	SHEET	
1 : 1	10/09/15	1 of 1	