

MURPHY®

by **ENOVATION** CONTROLS



CE

PowerView™ Model PV350 and PV380

Installation Manual

00-02-0880
2013-05-17
Section 78

In order to consistently bring you the highest quality, full featured products, we reserve the right to change our specifications and designs at any time. The latest version of this manual can be found at www.fwmurphy.com.

Warranty - A limited warranty on materials and workmanship is given with this Murphy product. A copy of the warranty may be viewed or printed by going to <http://www.fwmurphy.com/warranty>.



Please read the following information before installing.

**BEFORE BEGINNING INSTALLATION OF THIS MURPHY
PRODUCT:**

Read and follow all installation instructions.

Please contact Enovation Controls immediately if you have any questions.

(THIS PAGE INTENTIONALLY LEFT BLANK)

Table of Contents

Hardware Installation	5
Inspecting Package Contents.....	5
Dash-Mounted Installation.....	5
Dimensions	6
Wiring Information	8
Pin Specifications for PV350.....	8
Pin Specifications for PV380.....	9
Wiring Diagram for PV350.....	10
Wiring Diagram for PV380.....	11
PV350 and 380 Features and Operations	12
Specifications	13

Hardware Installation

The following instructions will guide you through installing the PowerView display.

Inspecting Package Contents

Before attempting to install the product, it is recommended that you ensure all parts are accounted for and inspect each item for damage (which sometimes occurs during shipping). The items included in the box are:

- PV350 or the PV380 unit
- Dash gasket
- Installation manual – P/N 00-02-0880
- Operations manual – P/N 00-02-0879

Dash-Mounted Installation

Tools needed.

- Jig Saw, or
- 3.5" Hole saw, or
- 3.5" knockout (chassis) punch

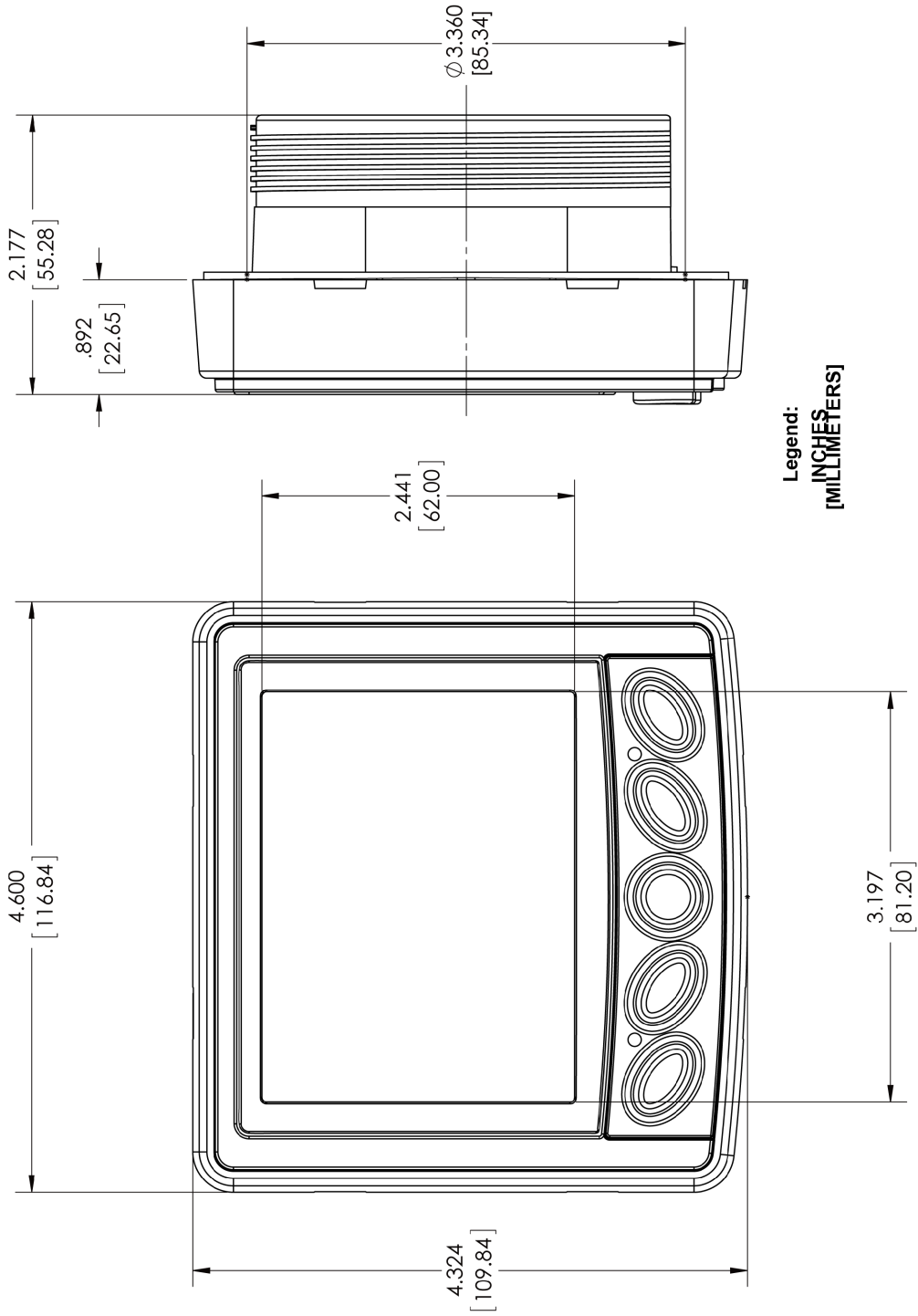
Preparing the Dash

Determine the location of the PowerView in the dash. Refer to the Mounting Hole Options sheet at the end of this document for the appropriate opening sizes.

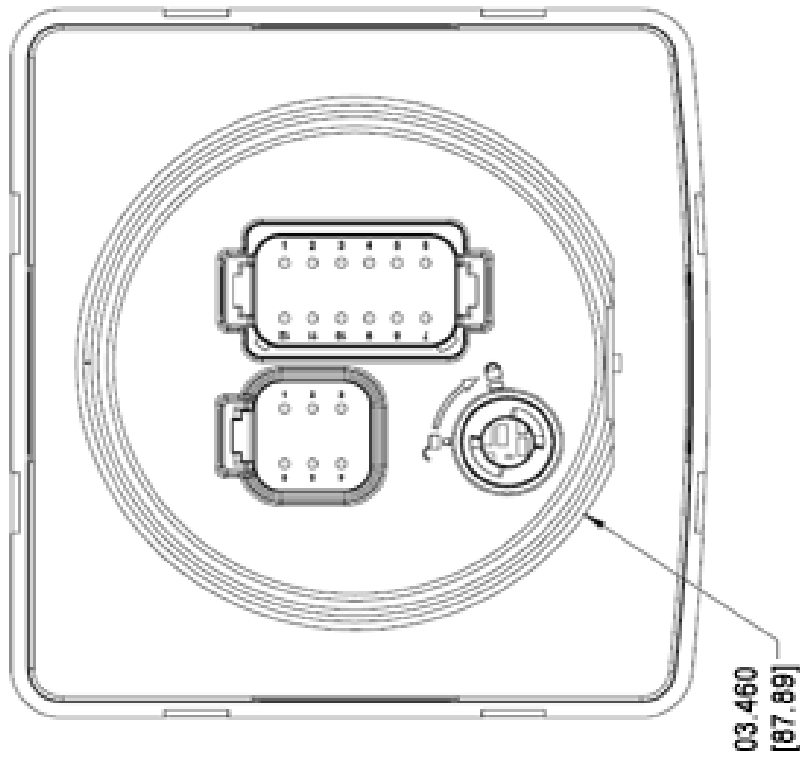
Mounting the Unit

1. Place the dash gasket over the prepared dash opening.
2. Place the back side of the display through the opening in the dash.
3. Push the unit through the opening until the case is flush.
4. Place the screw on type mounting clamp behind the dash and install on the unit until it is hand tight.

Dimensions



Dimensions, cont.



Note: Pinout depicted is the PV380

Legend:
Inches
[Millimeters]

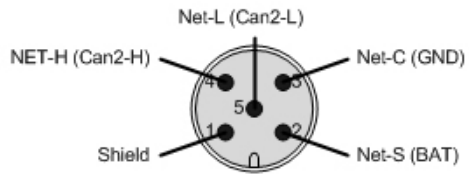
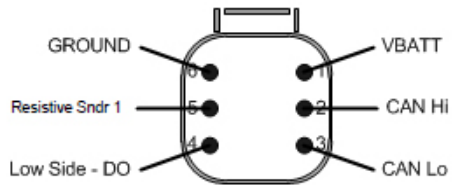
Wiring Information

Pin Specifications for PV350

PV350



PV350 Back View



Mating Connector Part Numbers:

- Deutsch DT06-12SA plug housing
- Deutsch DT06-6S plug housing
- W6S and W12S wedge locks
- Deutsch 0462-201-16141 contact (socket)
- M12 (Micro-C) 5-pin male plug compatible with NMEA 2000 thin backbones (light cable)

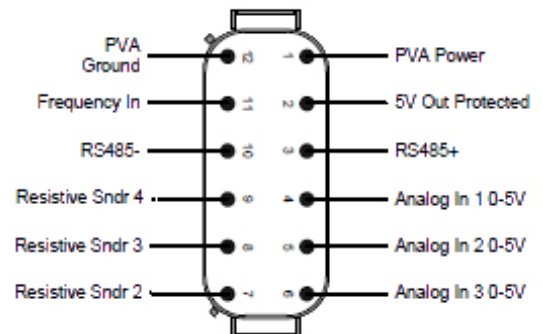
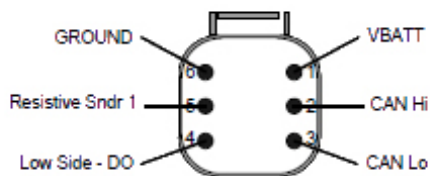
Pin Specifications for PV380

PV380

PV380 Connector Pin Outs



PV380 Back View

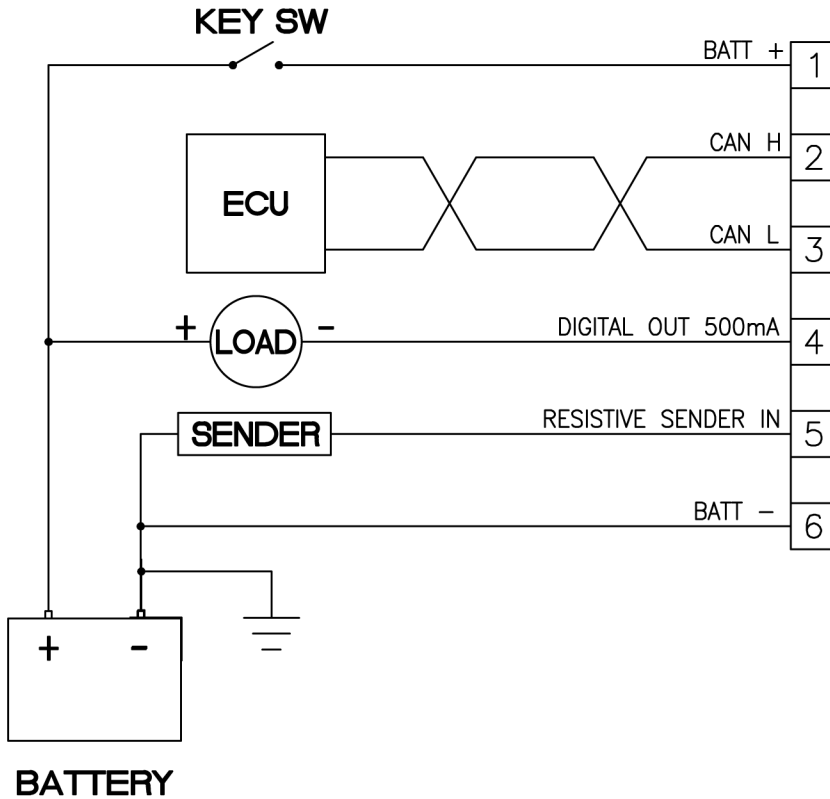


Mating Connector Part Numbers:

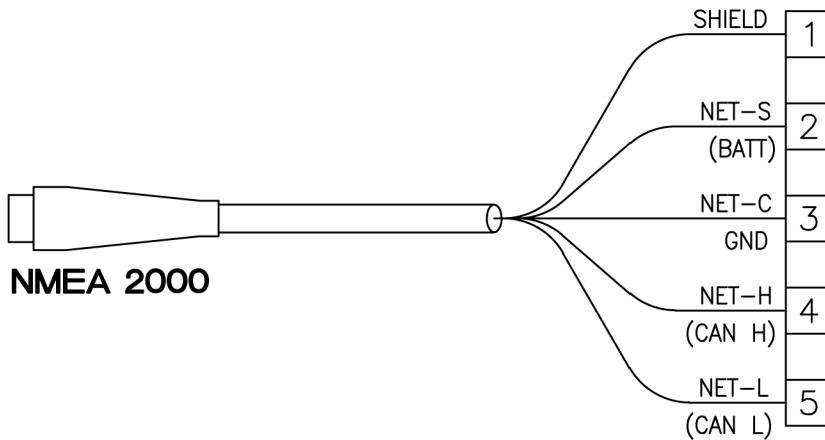
- Deutsch DT06-12SA plug housing
- Deutsch DT06-6S plug housing
- W6S and W12S wedge locks
- Deutsch 0462-201-16141 contact (socket)

Wiring Diagram for PV350

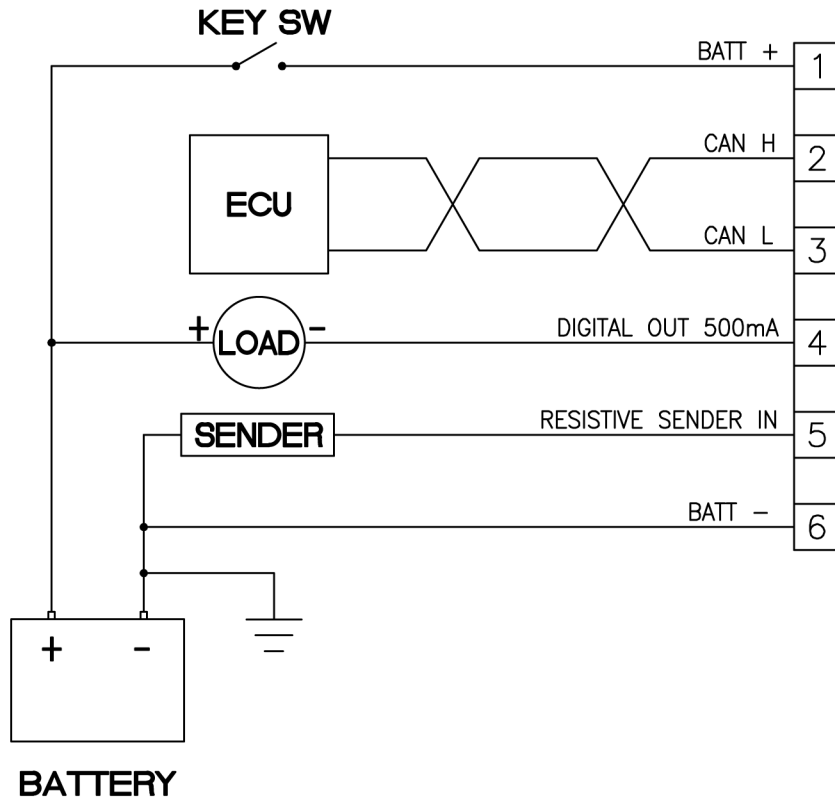
PV350



MATING CONNECTOR
 DEUTSCH DT06-6S
 w/ WEDGELOCK W6S

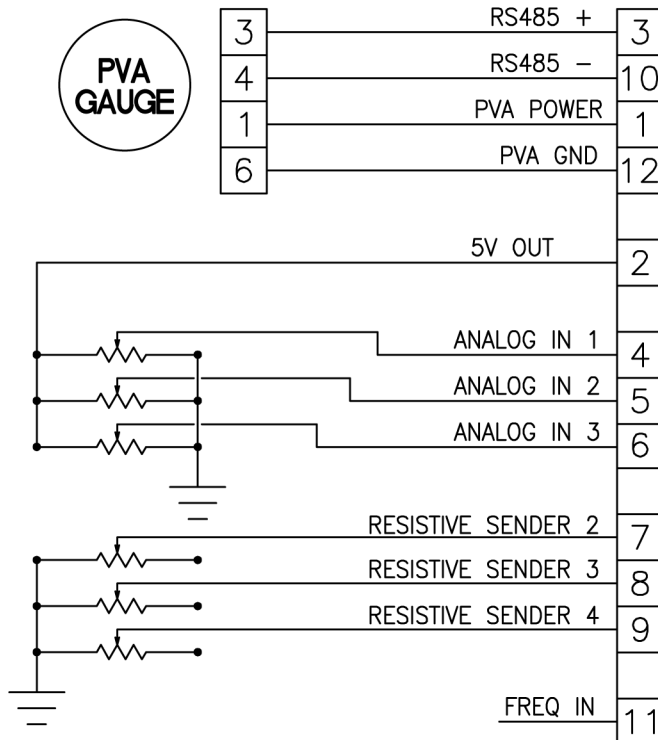


Wiring Diagram for PV380



PV380

MATING CONNECTOR
 DEUTSCH DT06-6S
 w/ WEDGELOCK W6S



MATING CONNECTOR
 DEUTSCH DT06-12SA
 w/ WEDGELOCK W12S

PV350 and 380 Features and Operations



Flat Screen Display

A 3.8" QVGA monochrome LCD screen displays gauges, soft key commands, and fault messages, as well as menu options for setup and configuration.

Soft Keys and Commands

The five tactile push buttons on the bottom of the display correspond to the options available for the screen being displayed.

MENU

Pressing any Soft Key will display the list of menu options.

Alarms

Red and amber warning LEDs; Setpoint triggered output for external piezo buzzer or shut-down relay.

Specifications

Electrical

Display	3.8" monochrome LCD
Resolution	QVGA, 320 x 240 pixels
Orientation	Landscape
Backlighting	LED, white
Flash Memory	512kb
RAM	96kb
Operating Voltage	6 - 36 VDC, protected against reverse polarity and load-dump
Power Consumption	10 W max
CAN	CAN 2.0B
Protocols	J1939, FreeForm CAN
Connection	PV350: 6 pin Deutsch connector and 5 pin M12 connector PV380: 6 pin and 12 pin Deutsch DT series connectors
Keyboard	5 tactile buttons
Inputs	PV350: (1) resistive analog (backlight control) PV380: (4) resistive analog, (3) analog, 0-5V analog or digital, (1) frequency, 2-10,000 Hz, 3.6-120 VAC
Output	PV350: (1) 500 mA; switched low-side PV380: (1) 500 mA; switched low-side, (1) 5V supply, 70 mA, protected

Environmental

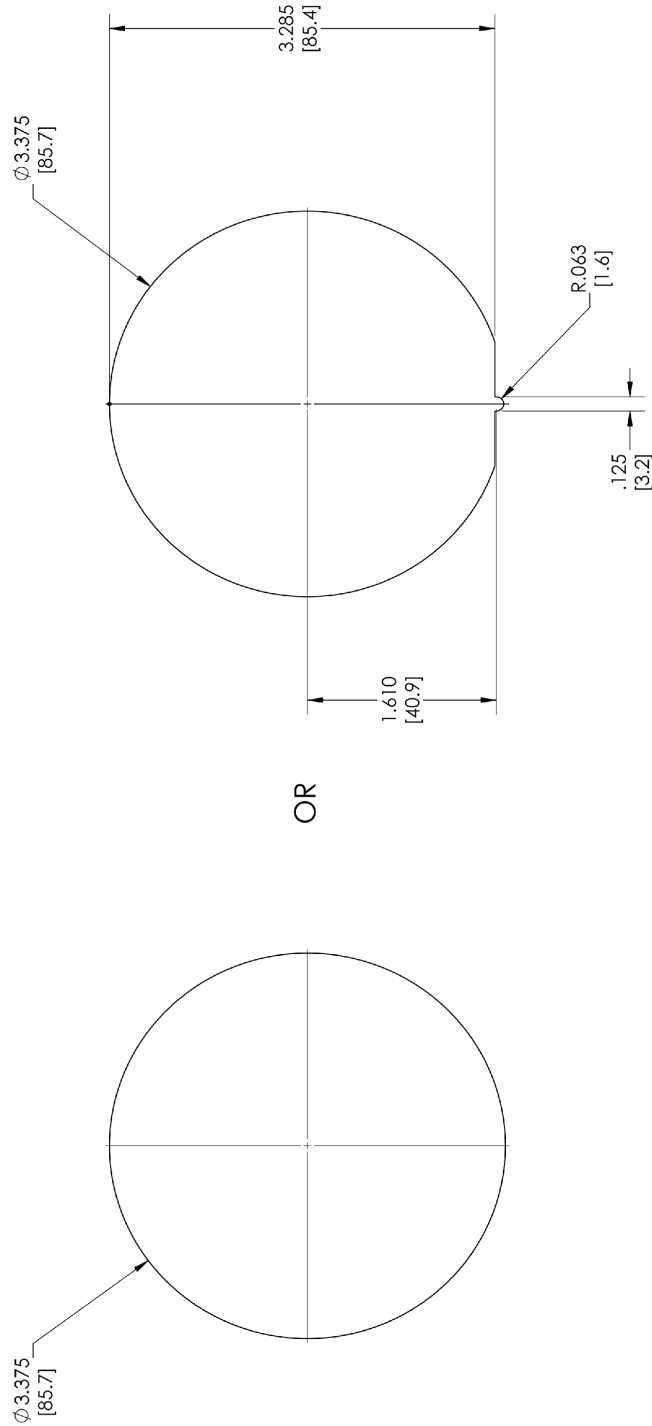
Operating Temperature	-40° C to +85° C
Storage Temperature	-40° C to +85° C
Protection	IP67, front and back, IP66 panel seal
Emissions	SAE J1113 or customer-specified
Immunity	SAE J1113 or customer-specified
Vibration	Random vibration, 7.86 Grms (5.2000 Hz), 3 axis
Shock	+/- 50G in 3 axis

Mechanical

Case Material	PC/ABS
---------------	--------

Mounting Hole Options

PV350/380



OR

MOUNTING HOLE OPTIONS

(THIS PAGE INTENTIONALLY LEFT BLANK)

In order to consistently bring you the highest quality, full-featured products, we reserve the right to change our specifications and designs at any time. MURPHY products and the Murphy logo are registered and/or common law trademarks of Enovation Controls, LLC. This document, including textual matter and illustrations, is copyright protected by Enovation Controls, LLC, with all rights reserved. (c) 2013 Enovation Controls, LLC. A copy of the warranty may be viewed or printed by going to <http://fwmurphy.com/warranty>.

ENOVIATION CONTROLS CORPORATE HEADQUARTERS

5311 S 122ND EAST AVENUE
TULSA, OK 74146

ENOVIATION CONTROLS – SAN ANTONIO OFFICE

5757 FARINON DRIVE
SAN ANTONIO, TX 78249

ENOVIATION CONTROLS – HOUSTON OFFICE

105 RANDON DYER RD
ROSENBERG, TX 77471

FW MURPHY, LTD. – UNITED KINGDOM

CHURCH ROAD LAVERSTOCK
SALISBURY SP1 1QZ UK

MURPHY ECONTROLS TECHNOLOGIES (HANGZHOU) CO, LTD.

77 23RD STREET
HANGZHOU ECONOMIC & TECHNOLOGICAL DEVELOPMENT AREA
HANGZHOU, ZHEJIANG 310018 CHINA

DOMESTIC SALES & SUPPORT

ECONTROLS PRODUCTS

PHONE: 210 495 9772
FAX: 210 495 9791
EMAIL: INFO@ECONTROLS.COM
WWW.ECONTROLS.COM

MURPHY PRODUCTS

PHONE: 918 317 4100
FAX: 918 317 4266
EMAIL: SALES@FWMURPHY.COM
WWW.FWMURPHY.COM

MURPHY CONTROL SYSTEMS & SERVICES

PHONE: 281 633 4500
FAX: 281 633 4588
EMAIL: CSS-SOLUTIONS@FWMURPHY.COM

MURPHY INDUSTRIAL PANEL DIVISION

PHONE: 918 317 4100
FAX: 918 317 4124
EMAIL: IPDSALES@FWMURPHY.COM

INTERNATIONAL SALES & SUPPORT

UNITED KINGDOM
PHONE: +44 1722 410055
FAX: +44 1722 410088
EMAIL: SALES@FWMURPHY.CO.UK
WWW.FWMURPHY.CO.UK

CHINA

PHONE: +86 571 8788 6060
FAX: +86 571 8684 8878
EMAIL: APSALES@FWMURPHY.COM

LATIN AMERICA & CARIBBEAN

PHONE: 918 317 2500
EMAIL: LASALES@FWMURPHY.COM

SOUTH KOREA

PHONE: +82 70 7951 4100
EMAIL: SKOREASALES@FWMURPHY.COM

INDIA

PHONE: +91 91581 37633
EMAIL: INDIASALES@FWMURPHY.COM

**ISO 9001
REGISTERED**



USA (TULSA) - ISO 9001:2008 FM 28221
USA (ROSENBERG) - ISO 9001:2008 FM 28221
UK - ISO 9001:2008 FM 28422
CHINA - ISO 9001:2008 FM 52385
Registered Facilities

Printed in the USA